

Gâches électriques

A p r i o r t a e l e t t r i c i

Elektro-Türöffner

Electric strikes

Cerraderos eléctricos

SECURITY STRIKES 142 U

ONE FOR ALL !

THE SECURITY STRIKE TO MEET ALL REQUIREMENTS

The new model 142 U fire-barrier strike

Strikes for fire doors and fire-barriers 142U

effe security strikes 142 are tested and approved locking elements for fire doors and fire barriers.

The strike 142U is a further development of this series and its functions offer the fitter new possibilities:

A strike to meet all requirements

- New connection method
- switchable 12/24 volt for a.c. and d.c. operation
- FaFix and Fix combined
- All models can be universally assembled (DR/DL)
- Vertical and horizontal assembly possible
- Integral over-voltage protection
- Compatible with the previous model series 142

Increased planning security: switchable 12/24 volts for a.c. and d.c. operation

- Can be switched between the voltage range 12-24V by a slide switch: Simple and reliable voltage selection is guaranteed.
- Integral suppressor diode ensures overvoltage protection for a.c. and d.c. current
- With only one version, it is no longer necessary to decide, when planning, whether to use
 - 12 or 24 V
 - d.c. or a.c.
 - with or without diodebecause the strike covers all these possibilities

FaFix and Fix combined

- Fix and FaFix combined as standard
- Adjustment range 4 mm with Fix and 4 mm with FaFix

A new connection method is used for the 142U

- Terminals (coil and RR) on one side.
No cables need to be run along the side or on the back of the strike.
- Improved connection method saves time when connecting up.
- Reliable contacting through terminal protection.
- Clear marking facilitates connection.

Result:

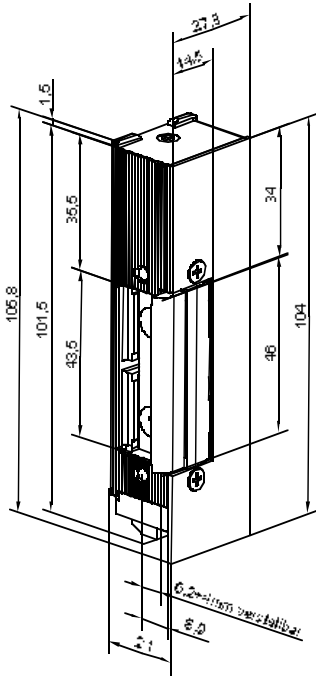
Production selection is simpler and installation is reliable and quick!



Can be universally assembled

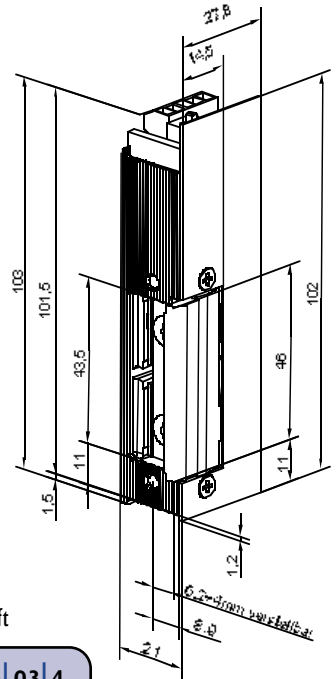
- each variant can be assembled on the right, on the left, vertically or horizontally.
- If there are no demands as a result of confined space and cable routing, then in principle, model 142UR---Q34 can be used. This basic variant, with corresponding striking plates, is suitable for almost all applications. Only if there are problems with narrow frames, will the other variants be used.





Model 142U DIN left
Picture shows DIN right
installation position

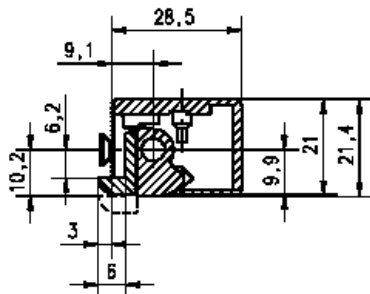
142U---|---|---|Q3|4



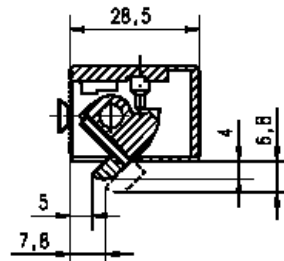
Model 142US DIN left

142US--|---|---|Q3|4

Section drawing
Fix + FaFix variant:

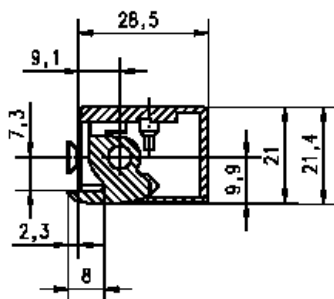


142 U closed

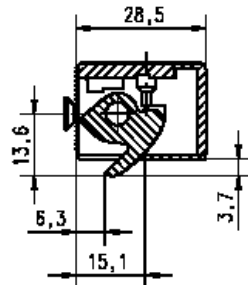


142 U open

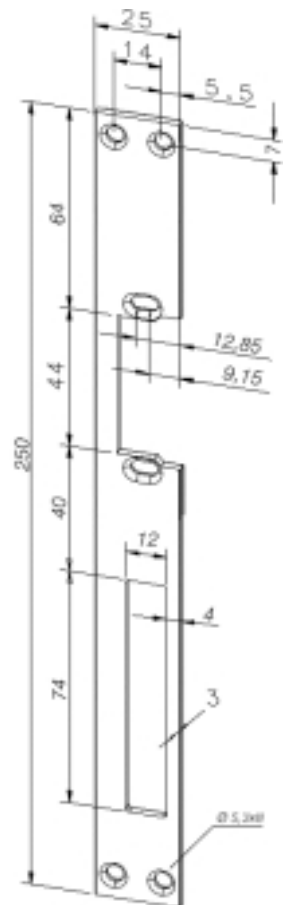
Section drawing
Fix variant:
For striking plates with latch
bolt guide (KF, HZF, LAP)



142 UF closed



142 UF open



Flat striking plate 051

TECHNICAL DATA

SECURITY STRIKE I42 U FOR FIRE DOORS AND FIRE BARRIERS

| Electrical data At 20 °C | Operating voltage Tolerance range | Nominal resistance in Ohms | AC current consumption in mA | DC current consumption in mA (50% residual ripple) | DC current consumption in mA (stabilised) | Operating noise during AC operation | Operating noise during DC operation (50% residual ripple) | Pre-load max. in N for AC | Pre-load max. in N for DC (50% residual ripple) | Pre-load max. in N for DC (stabilised) |
|-----------------------------|--------------------------------------|----------------------------|------------------------------|---|--|--|--|---------------------------|--|---|
| 12 V eE | ±1 V | 57,5 | 130 | 190 | 210 | 3 | 0 | 50 | 20 | 10 |
| 24 V eE | ±2 V | 230,0 | 70 | 100 | 105 | 3 | 0 | 50 | 20 | 10 |

I42UR + 05I = an ideal combination

= I42UR--05I35Q34 – One for all applications

Ordering information – model series I42U

| Model / design | Striking plate | | Surface | Voltage | DIN direction | |
|---|---|-------------------|--|--|------------------------|-----------|
| 1 st -7 th digit | 8 th -10 th digit zu I42U / I42UR zu I42US / I42USR | | 11 th -12 th digit | 13 th -14 th digit | 15 th digit | |
| I42U--- Terminal short side | 021 HZ | 021 HZ | 35 Stainless steel | Q3 12-24 V | 4 | DL |
| I42US-- Terminal long side | 051 HZ Fix | 051 HZ Fix | | | 5 | DR |
| I42UR-- Terminal short side with RR | 066 iW | 066 iW | | | | |
| I42USR- Terminal long side with RR | 096 kl | 098 Skl | | | | |
| | 178 kl Fix | 152 kl Fix | | | | |
| I42UF-- Terminal short side, fixed latch bolt* | 033 HZF | | | | | |
| I42USF- Terminal long side, fixed latch bolt* | 165 Lap | | | | | |
| I42URF- Terminal short side with RR, fixed latch bolt* | | | | | | |
| I42USRF Terminal long side with RR, fixed latch bolt* | | | | | | |

* F stands for Fix without FaFix, in other words, fixed and not adjustable latch bolt, but with HZF and KF, in other words can be combined with striking plates with latch-bolt guide (e.g. 033)

The DIN right variant and the S-models can be used with locks with small latch bolt spaces as well as the possibility of routing the connection cables away in to a suitable point in each case.



Gâches électriques

A p r i o r t a e l e t t r i c i

Elektro-Türöffner

E l e c t r i c s t r i k e s

Cerraderos eléctricos

effeff Fritz Fuss GmbH & Co.
Kommanditgesellschaft auf Aktien
Bildstockstraße 20
72458 Albstadt
GERMANY
Tel. +49 7431 123-0
Fax +49 7431 123-240
info@effeff.com
www.effeff.com

2.1901-0670G000